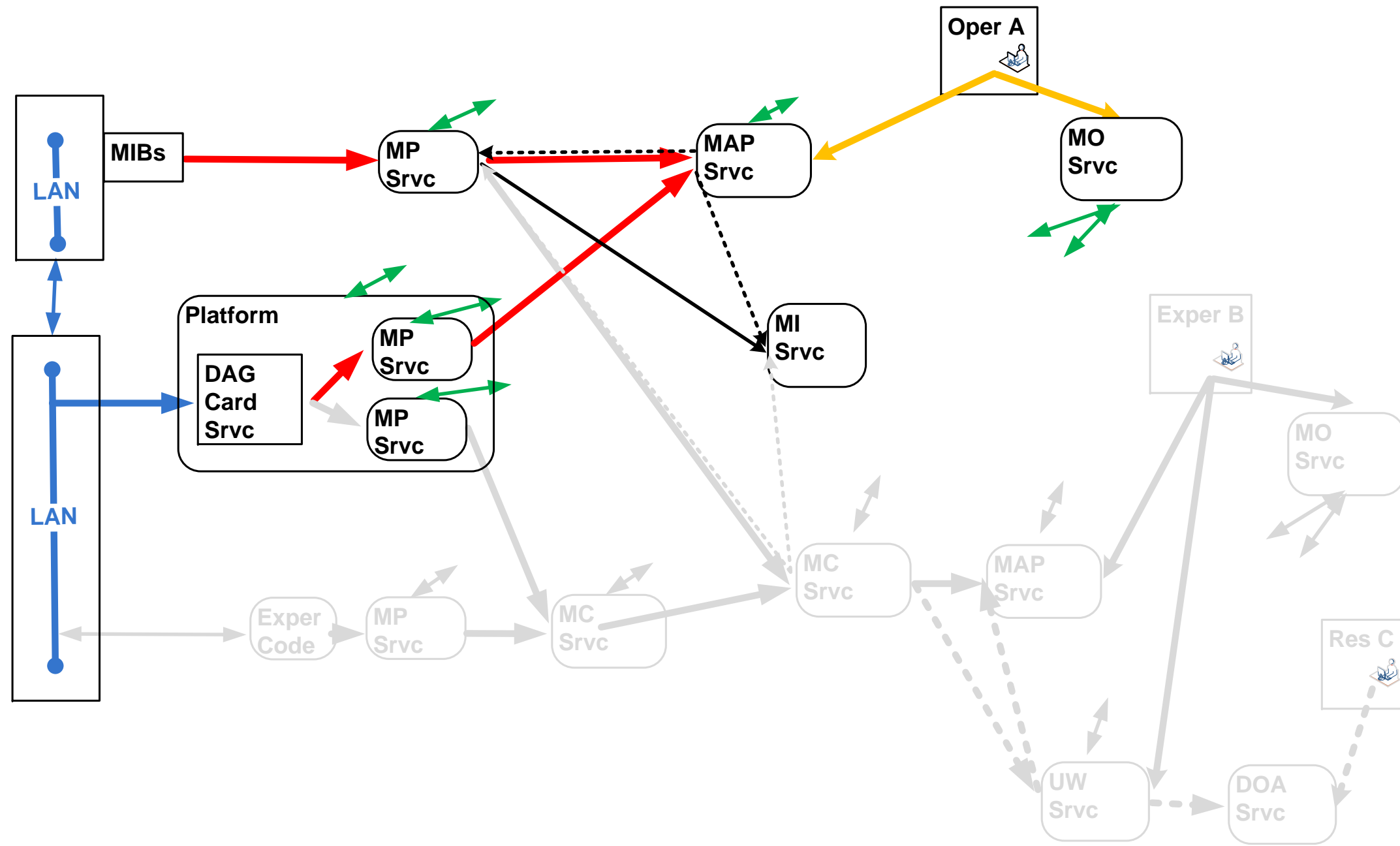
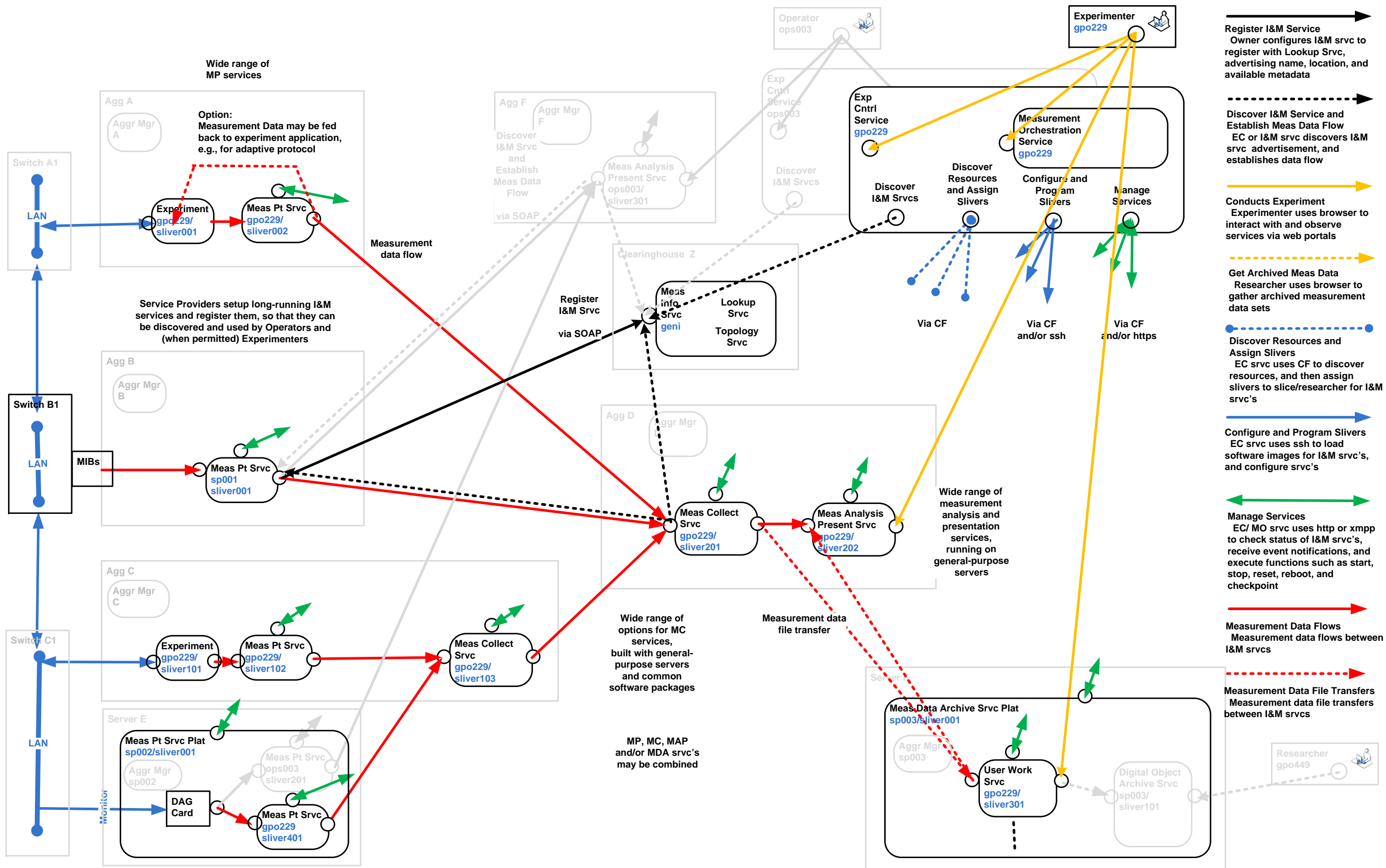
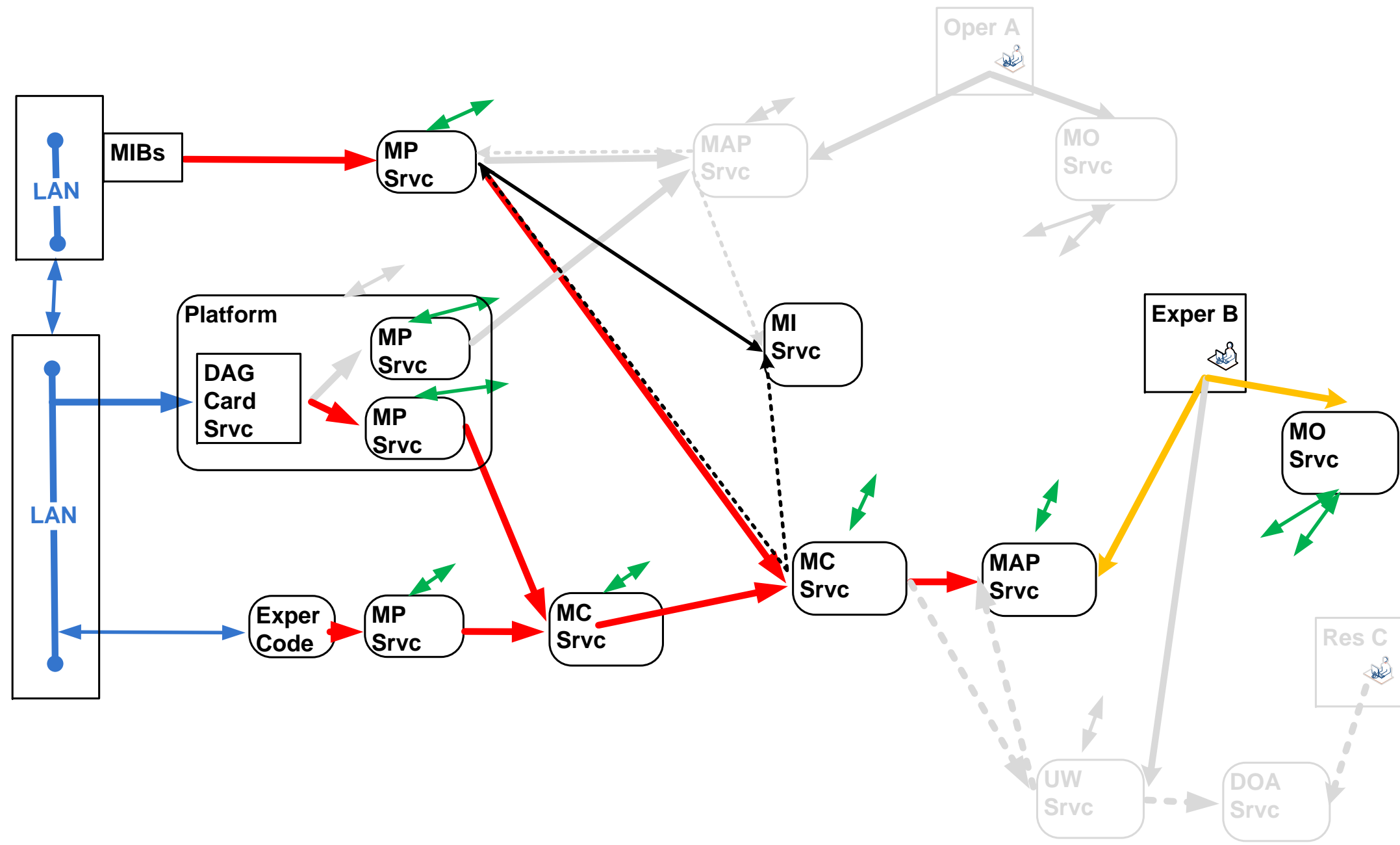


- Register I&M Service**  
Owner configures I&M svc to register with Lookup Svc, advertising name, location, and available metadata
- Discover I&M Service and Establish Meas Data Flow**  
EC or I&M svc discovers I&M svc advertisement, and establishes data flow
- Conducts Experiment**  
Experimenter uses browser to interact with and observe services via web portals
- Get Archived Meas Data**  
Researcher uses browser to gather archived measurement data sets
- Discover Resources and Assign Slivers**  
EC svc uses CF to discover resources, and then assign slivers to slice/researcher for I&M svc's
- Configure and Program Slivers**  
EC svc uses ssh to load software images for I&M svc's, and configure svc's
- Manage Services**  
EC/ MO svc uses http or xmpp to check status of I&M svc's, receive event notifications, and execute functions such as start, stop, reset, reboot, and checkpoint
- Measurement Data Flows**  
Measurement data flows between I&M svc's
- Measurement Data File Transfers**  
Measurement data file transfers between I&M svc's

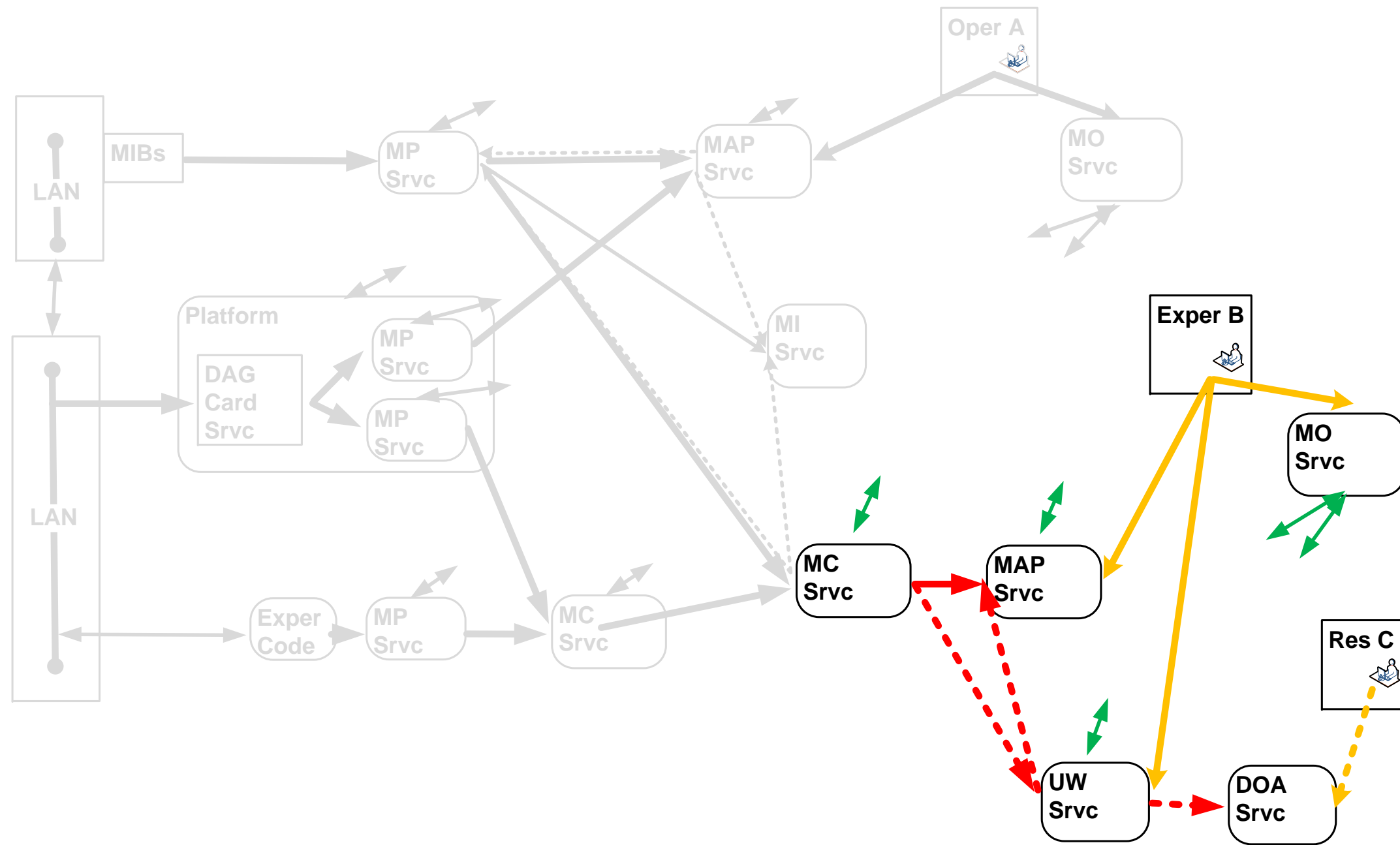








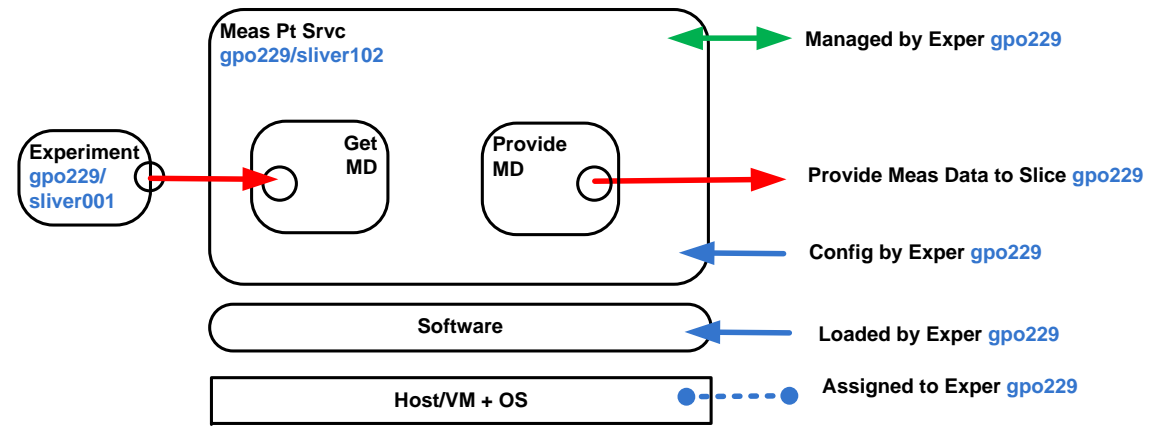




**Type 1: Dedicated I&M Service**

I&M service, e.g., Measurement Point (MP) service, that is setup as part of a slice, and provides MD only for that slice.

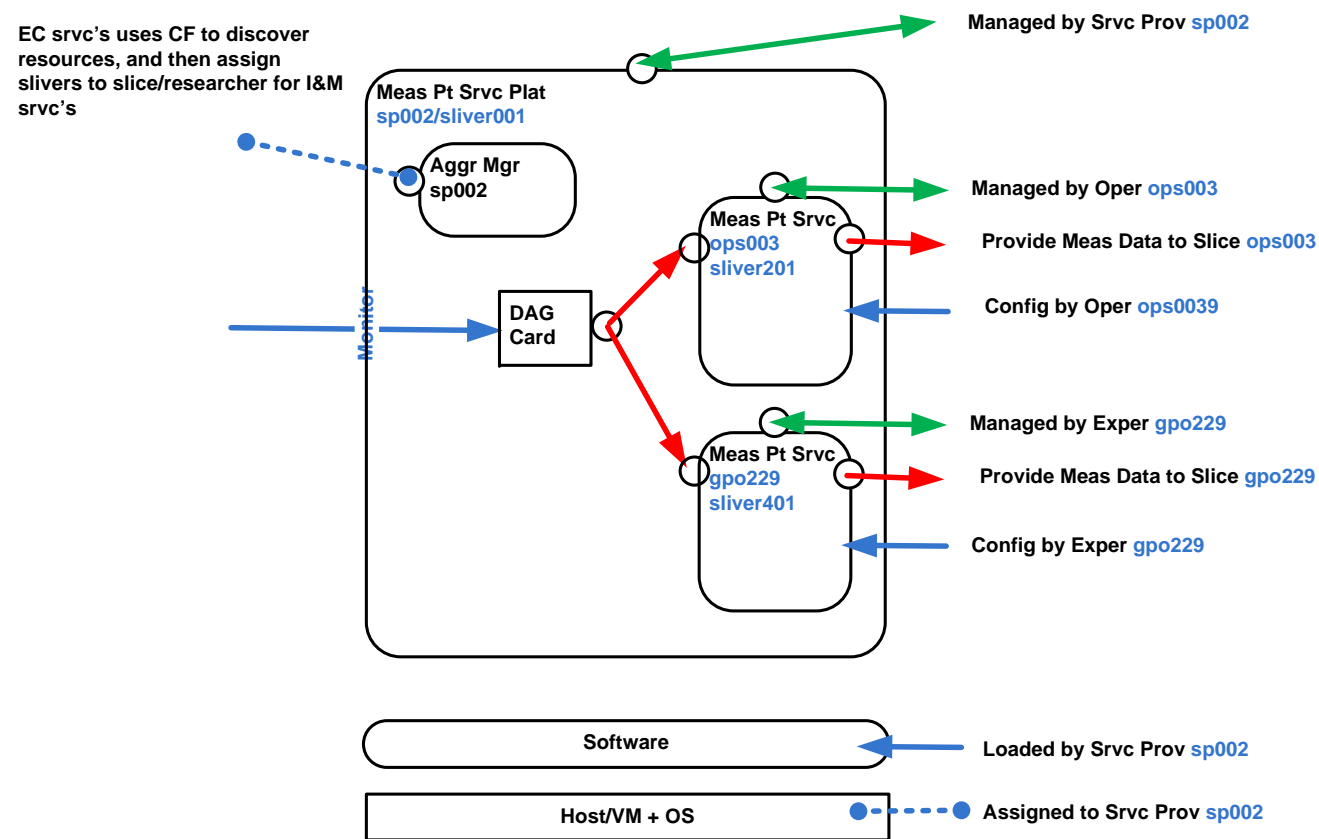
Example: (1642) Instrumentation Tools



**Type 2: Common I&M Service Platform with Multiple Slivers**

I&M service platform, e.g., Measurement Point (MP) service, that is setup and managed by a Service Provider, with multiple slivers assigned to multiple slices, which configure and manage the slices

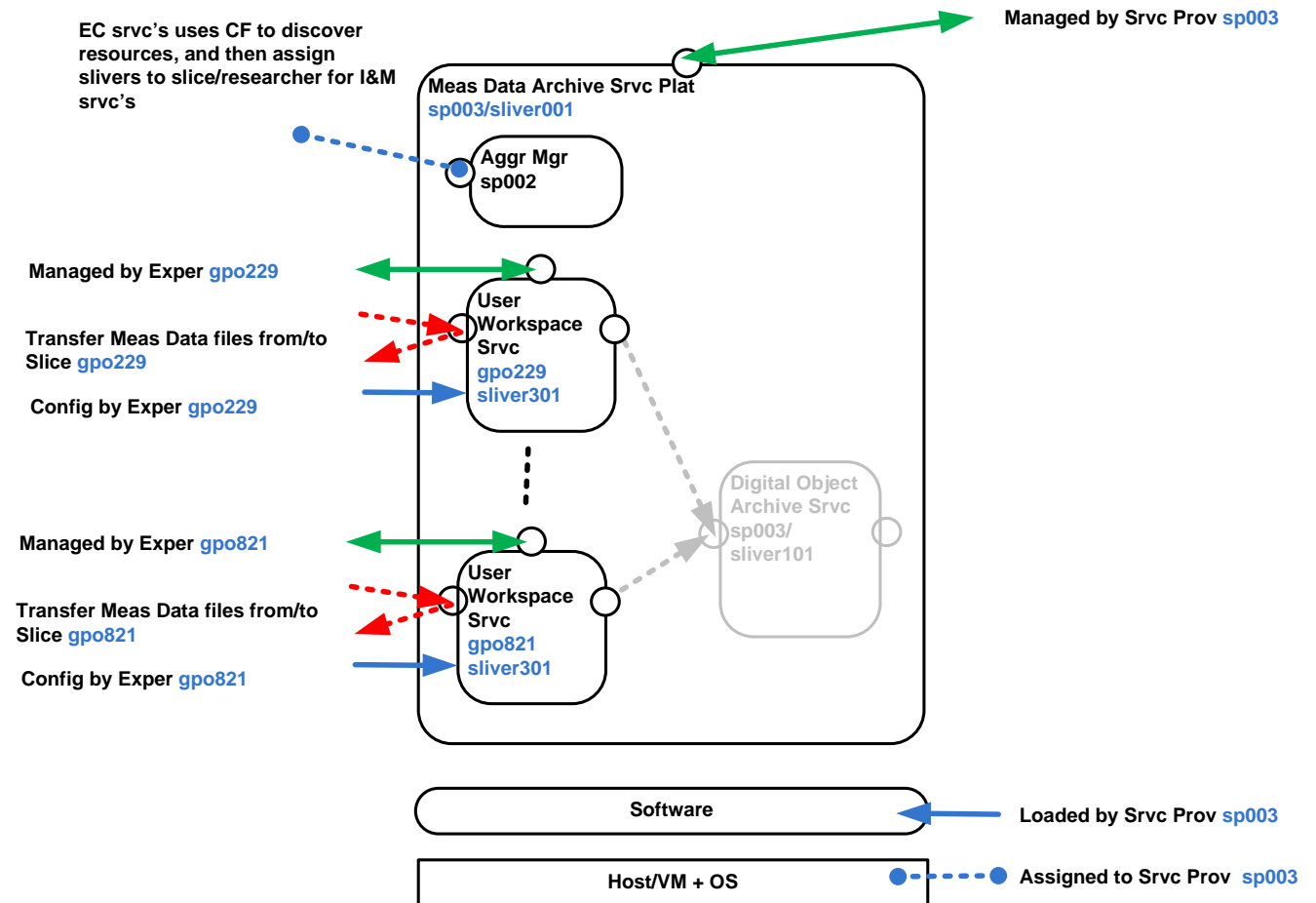
Example: (1628) Measurement System



**Type 2: Common I&M Service Platform with Multiple Slivers**

I&M service platform, e.g., Measurement Data Archive (MDA) service, that is setup and managed by a Service Provider, with multiple slivers assigned to multiple slices, which configure and manage the slices

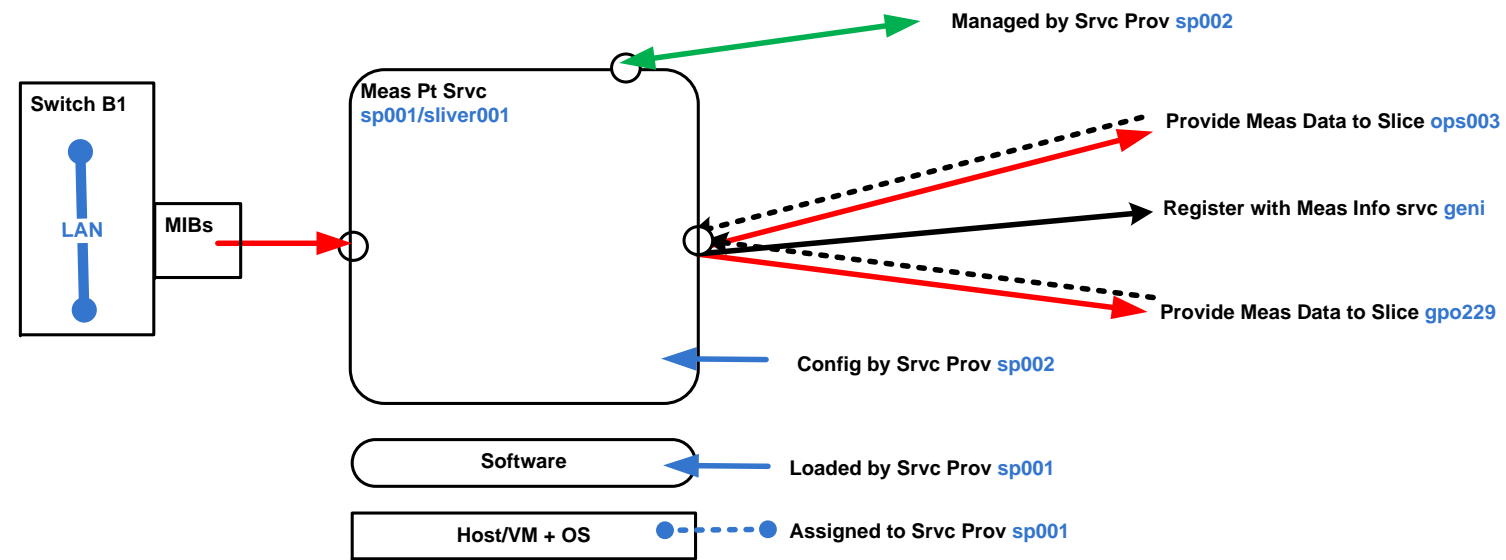
Example: (1663) Measurement Data Archive Service



**Type 3: Common I&M Service with Measurement Data (MD) to multiple slices**

I&M service, e.g., Measurement Point (MP) service, that is setup and managed by a Service Provider, with available Measurement Data (MD) that is registered with a Measurement Information Service in a CH, which can be provided to multiple slices. The MD may or may not be customized for each experiment.

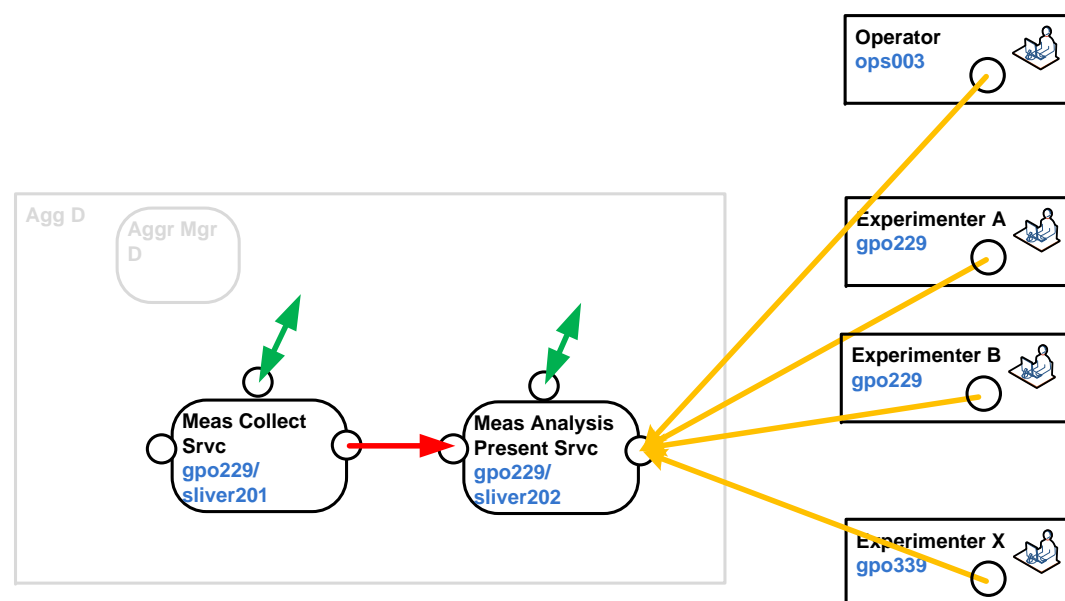
Example: perfSONAR



**Type 4: I&M Service with portal for sharing Meas Data**

I&M service, e.g., Meas Analysis and Presentation (MAP) service, that has a portal to allow experimenters and operators to observe Measurement Data

Example: (1642) Instrumentation Tools



**Type 4: I&M Service with portal for sharing Meas Data**

I&M service, e.g., Digital Object Archive (DOA) service within Measurement Data Archive (MDA) service, that has a portal to share archived files with researchers

Example: (1663) Digital Object Registry

