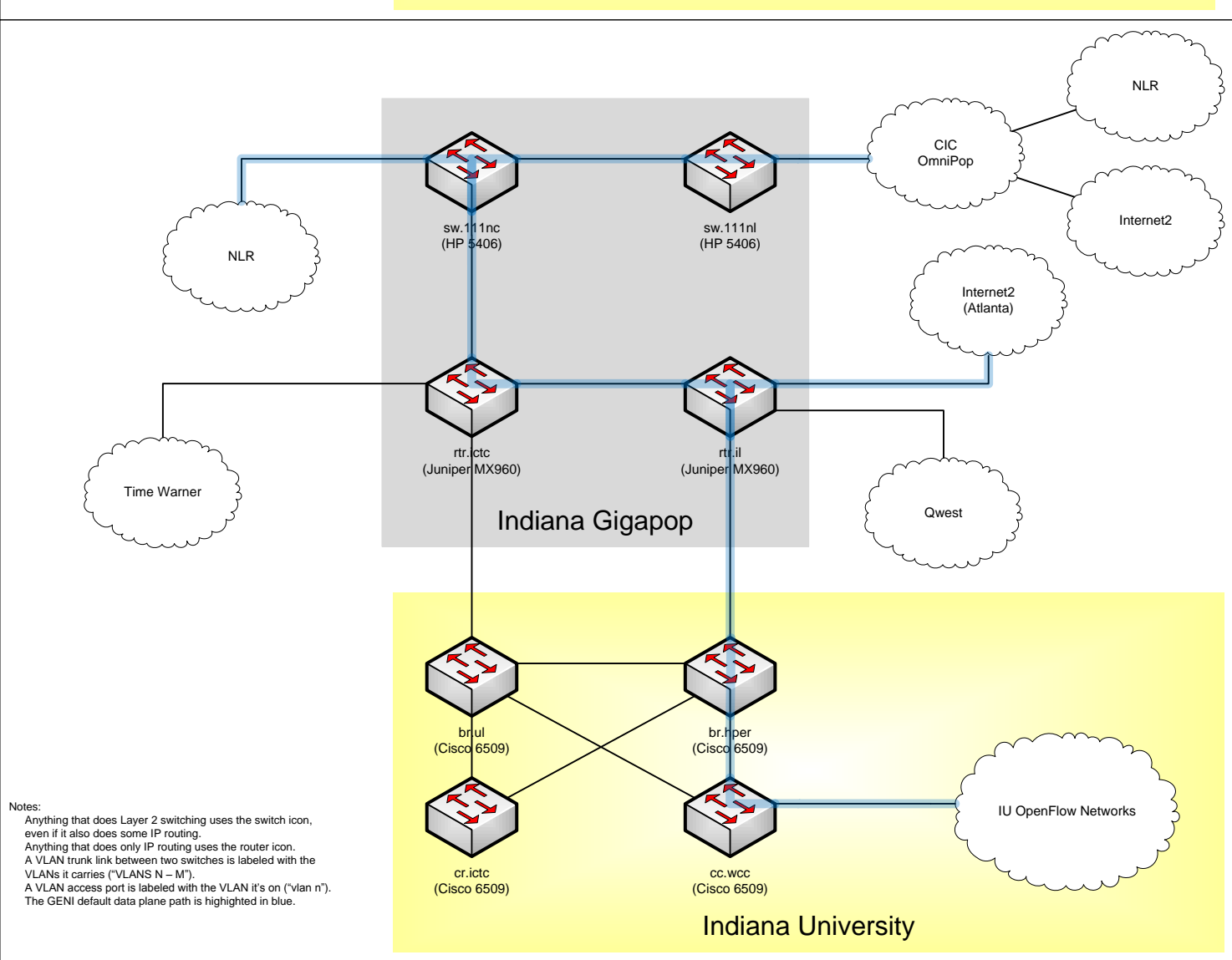
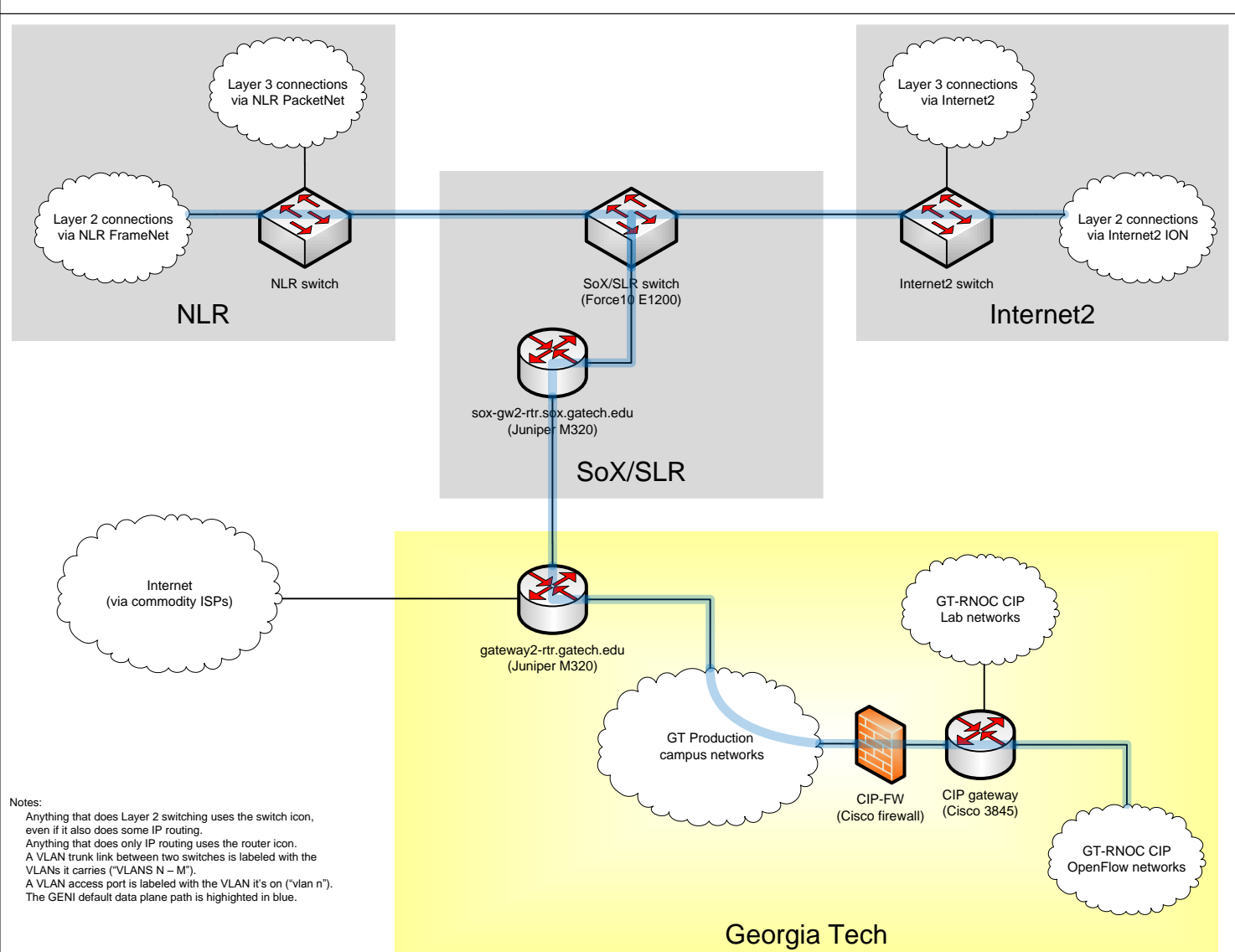
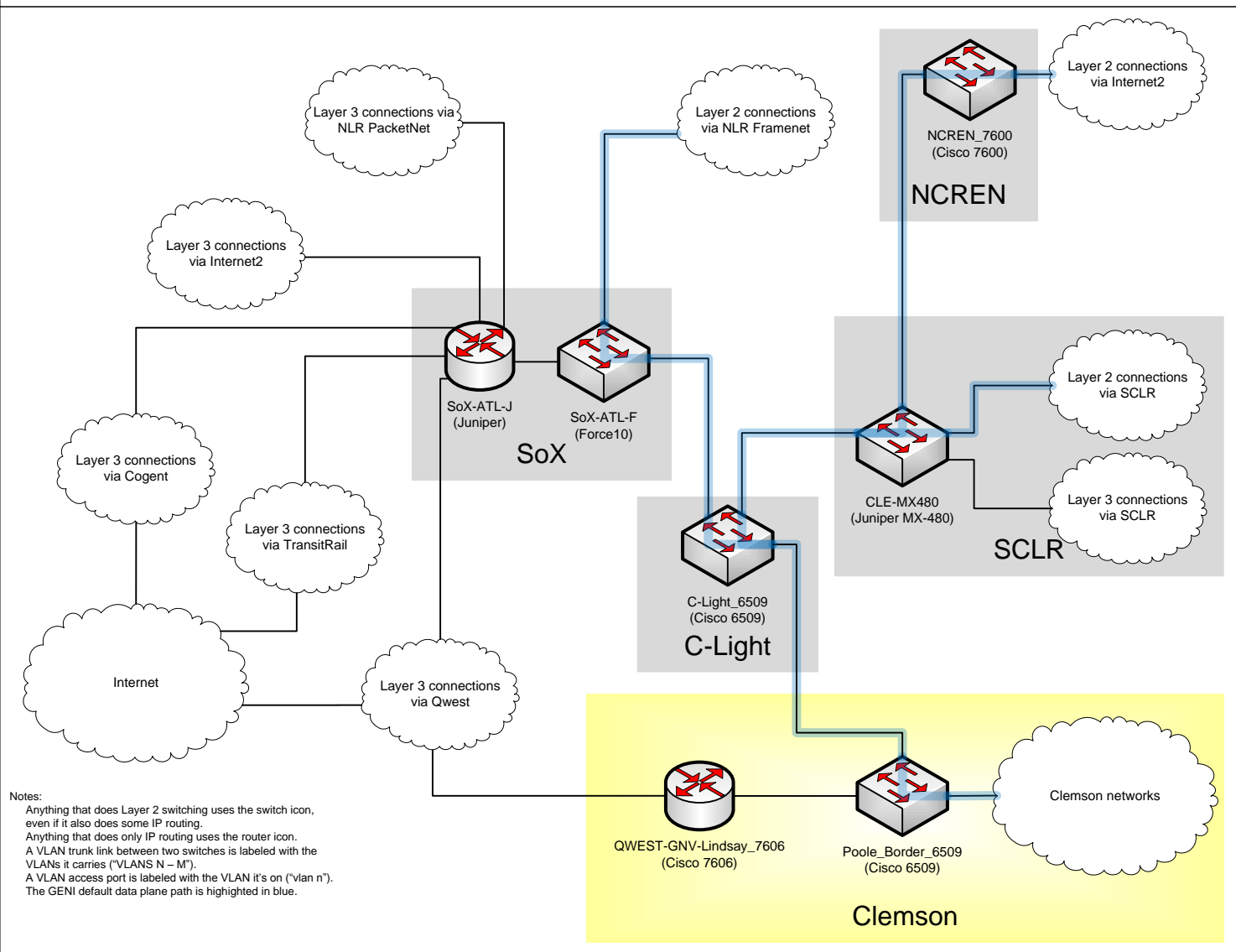
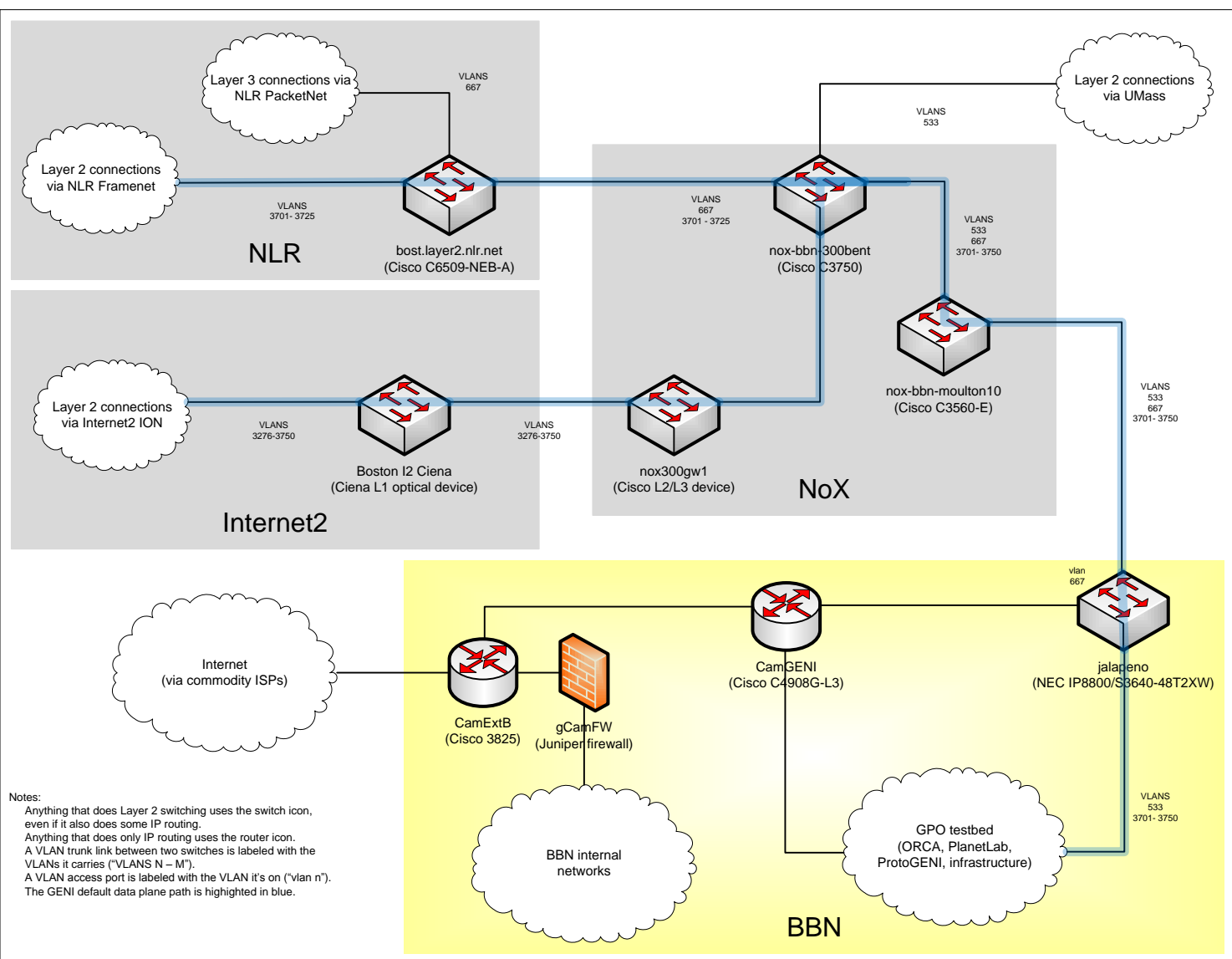
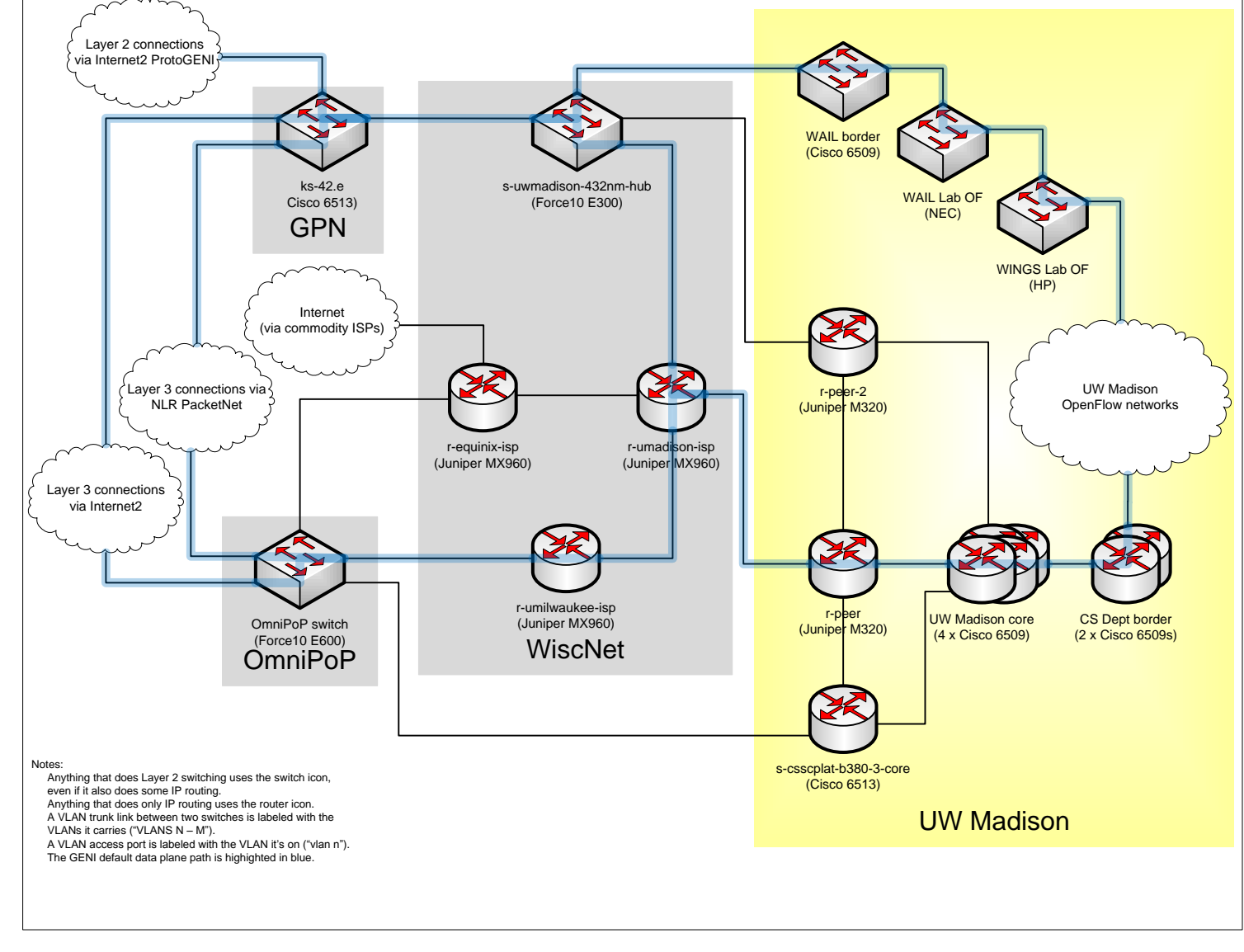
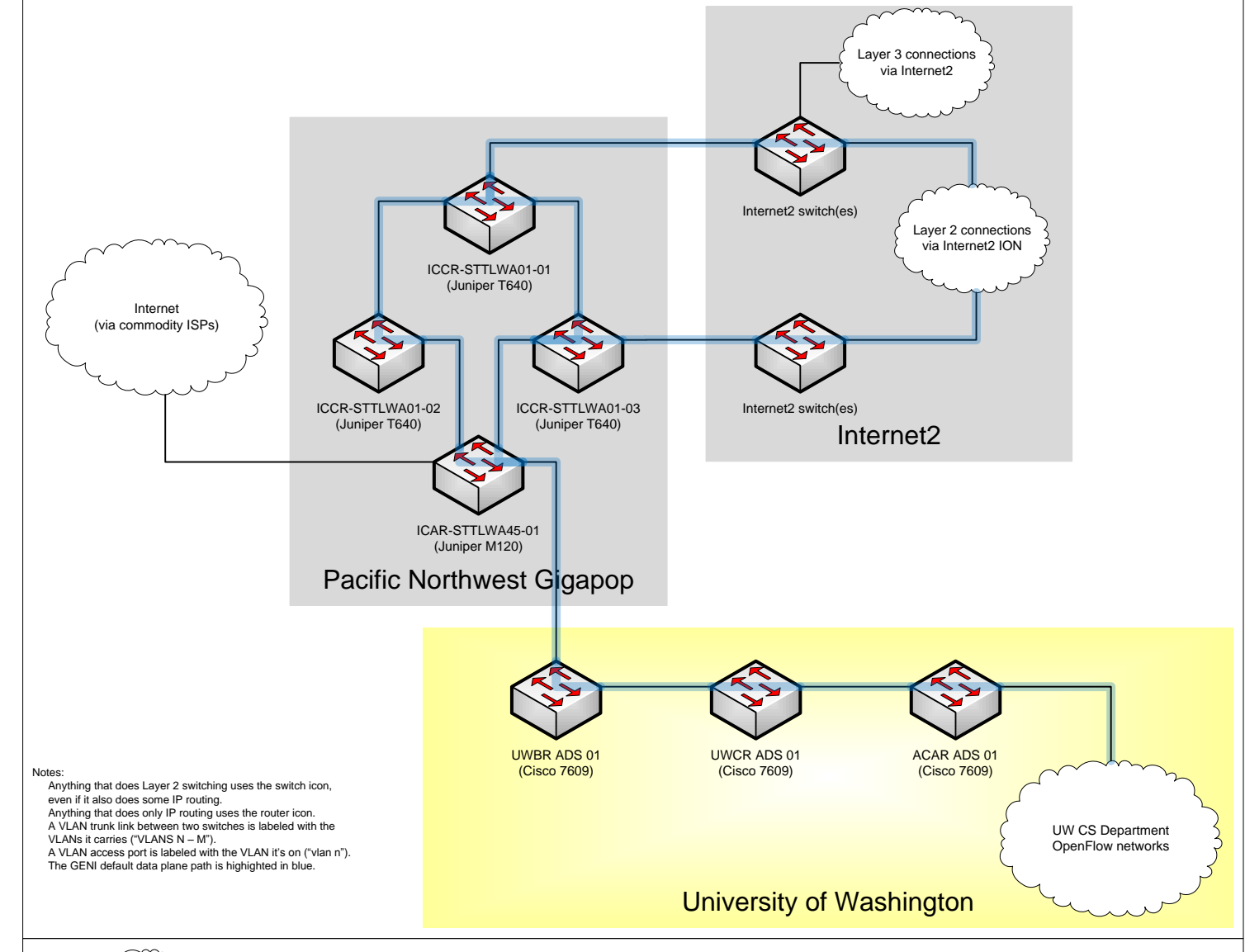
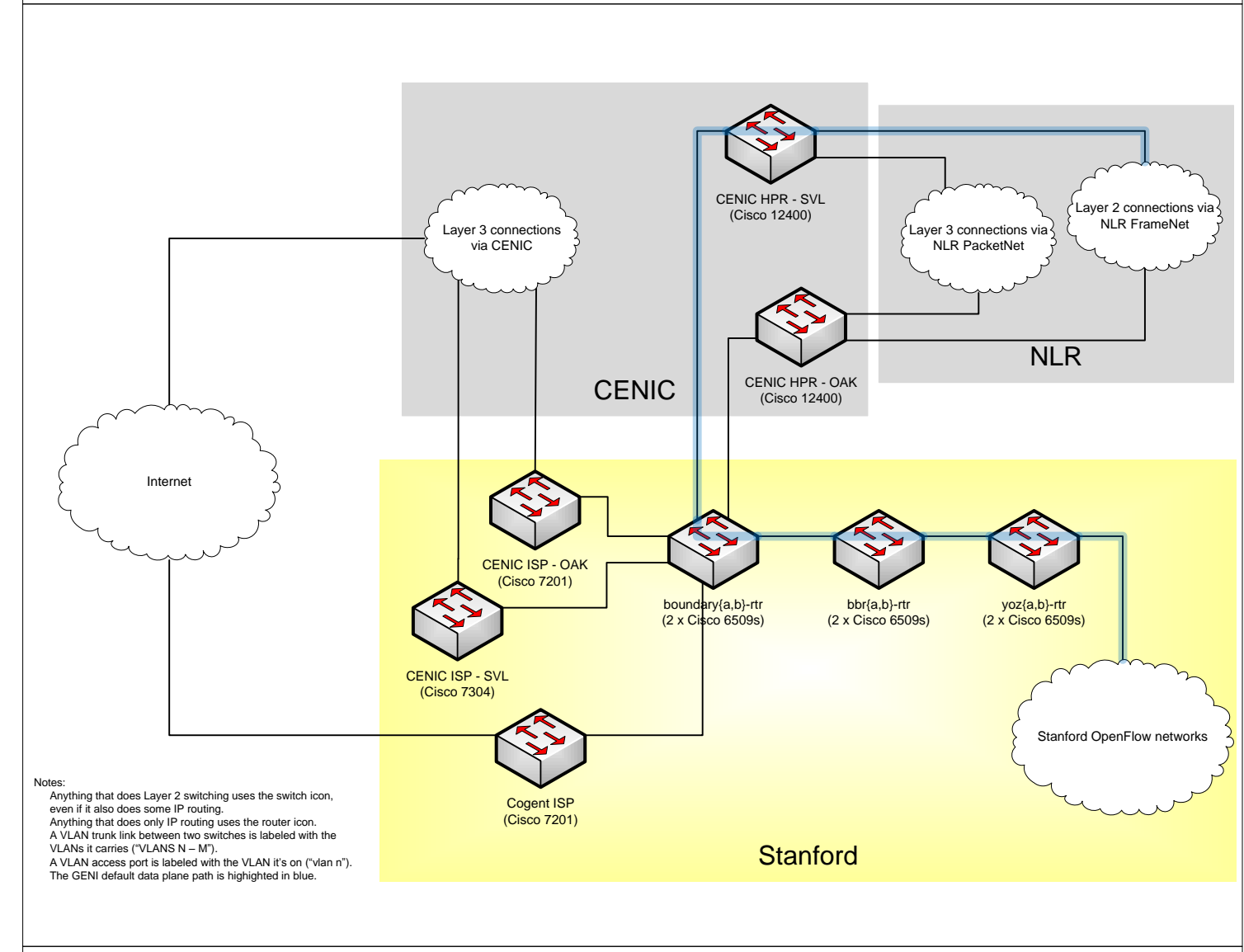
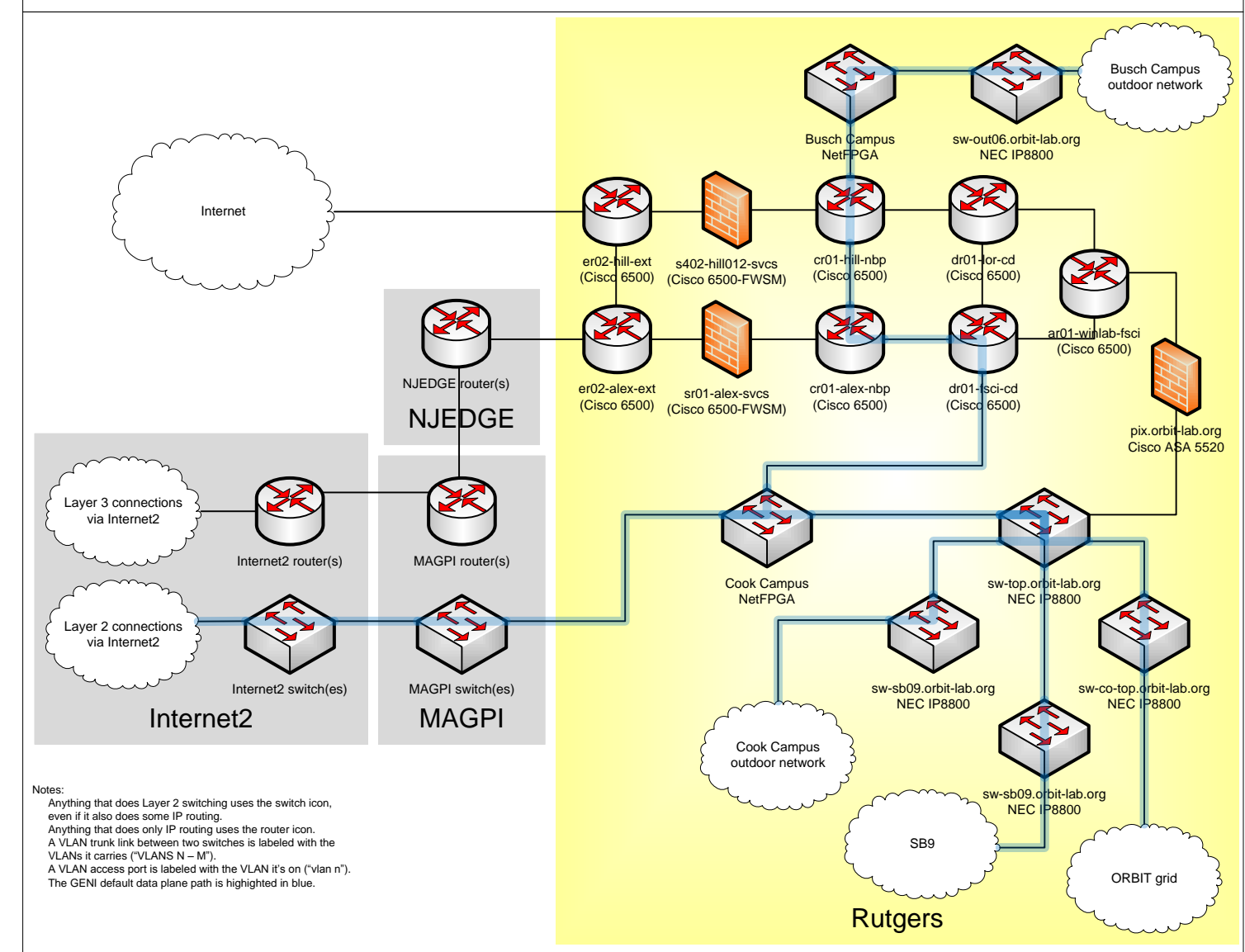
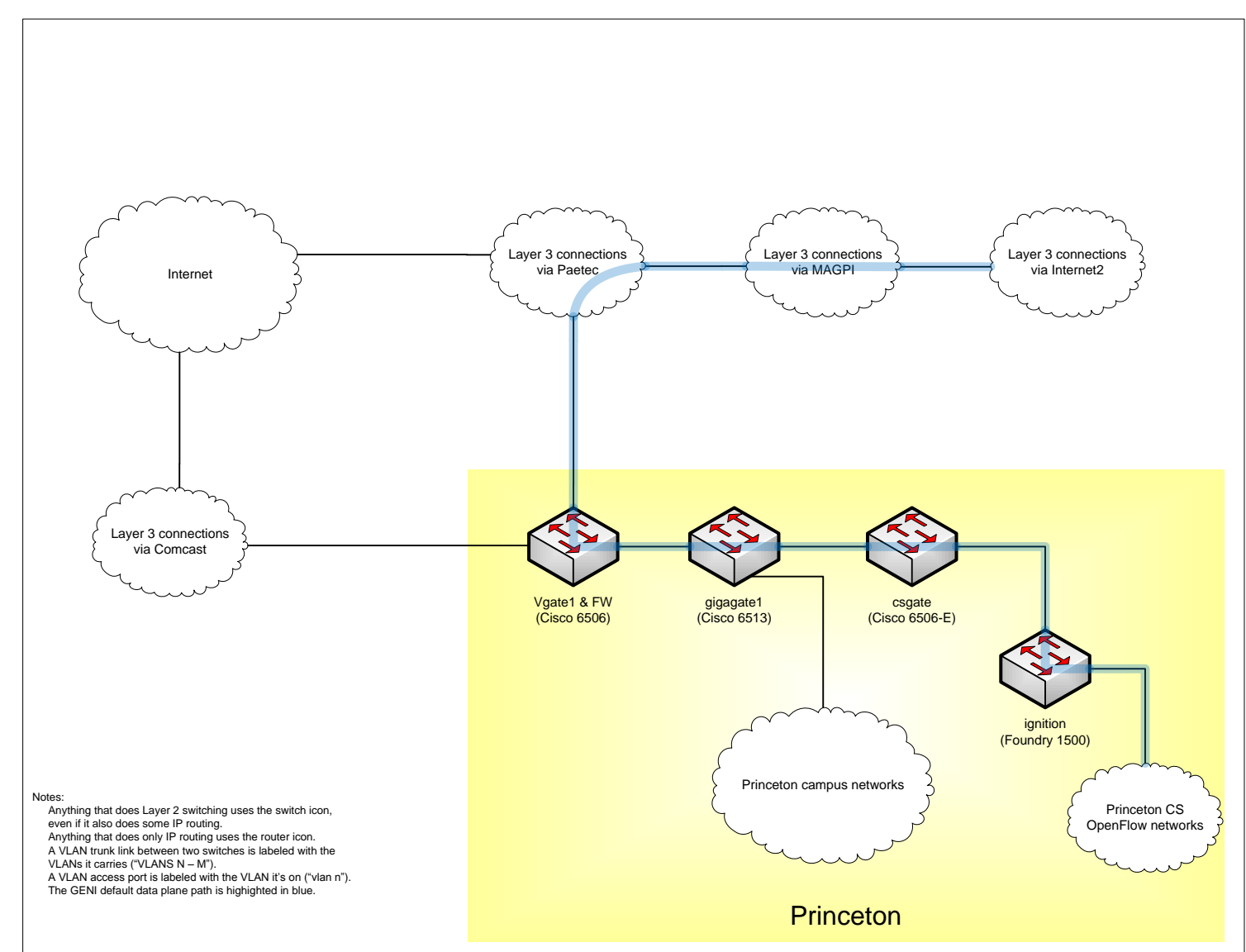


BBN has deployed OpenFlow for production use and integration testing.



OPENFLOW CAMPUS TRIALS



The GENI integration of the OpenFlowCampus Trials sites, via NLR and Internet2, will allow researchers to design and implement real cutting-edge experiments on real at-scale networks with real opt-in users.