

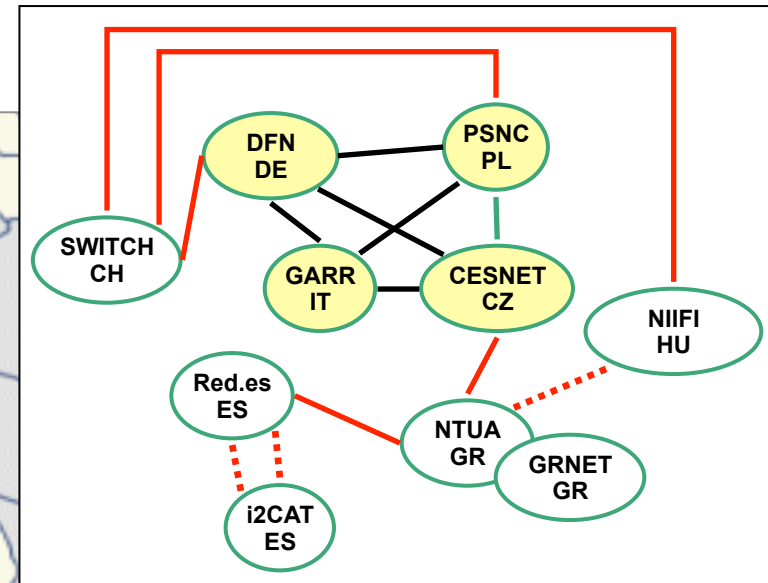
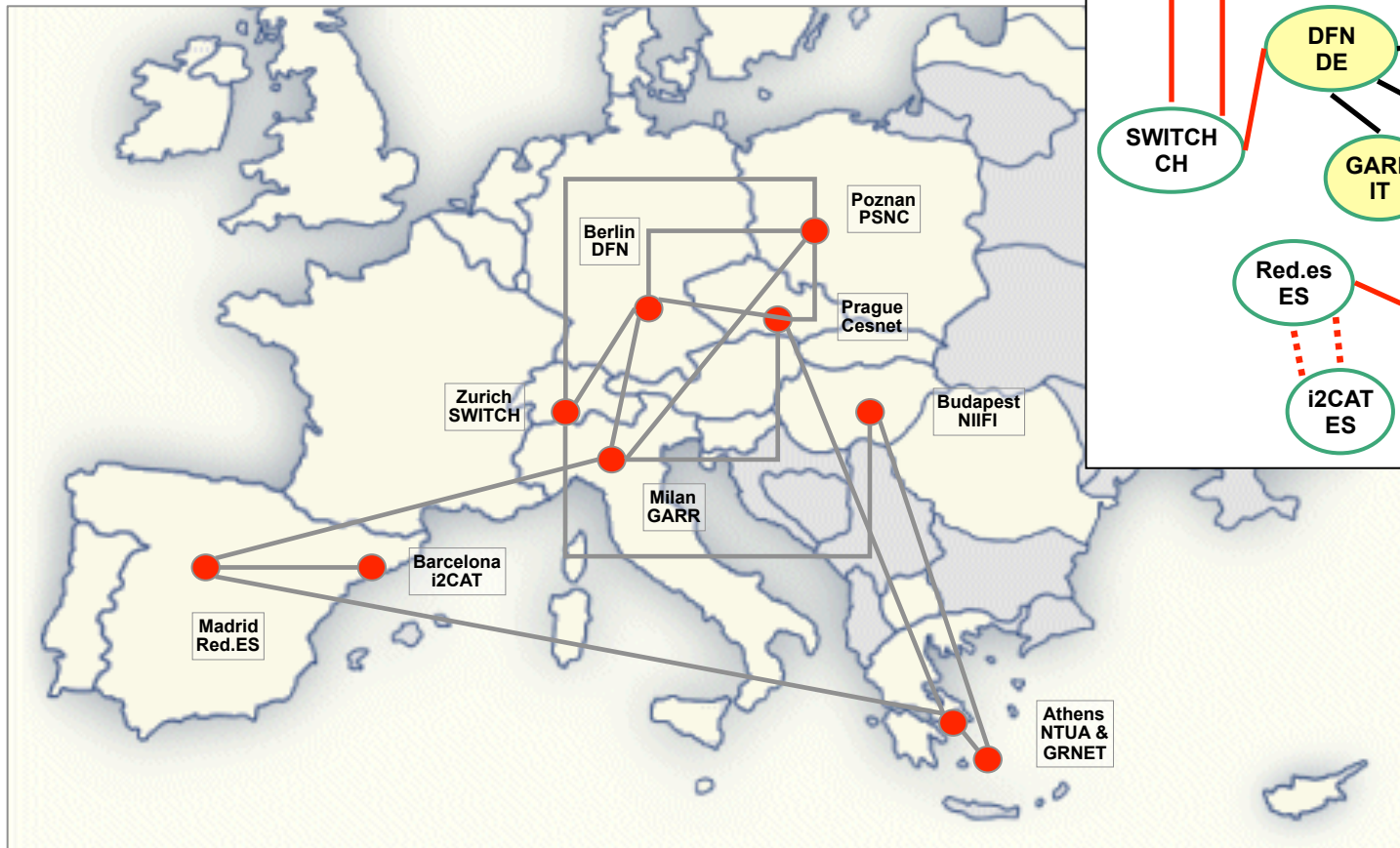
International collaboration

And interested users' group

Mauro Campanella

GENI 14° - Boston USA – June, 9 – 11 2012

FEDERICA current topology (June 2012)



Based on VMware, Juniper, SFA/rspecs (enhanced)
Can host OF-capable HW (no HW OF support at present)

Potential Projects / Users

FIRE (Future Internet Research and Experimentation)
see <http://www.ict-fire.eu/home/fire-projects.html>

e.g.

Facilities: BonFIRE (Clouds), OFELIA (OpenFlow),
SmartSantander (Wireless, IoT, city), OpenLab
Research Targeted Experiments : NOVI (federation and
resource broker)

GEANT (OpenFlow, NSI, monitoring,...)

Considerations

International collaboration is essential technically, but even more for discussing goals, methods and impacts foreseen

Personal experience:

- **Supporting research** and **doing research** are very **different**, albeit complementary
- The network research community is small
- **The user interface is never simple enough** (and very time consuming to create and maintain), it is though the most important part
- **Data presentation and its analysis** are even more demanding and important for the user
- Stacking physical resources is easy, **producing and maintaining SW is very hard**.

Proposals

- Consider [addressing other communities](#), work with them, e.g. Art and Humanities, Health, transport and energy, sociologists
- Collect and collaborate on [societal needs \(e.g. smart cities, cybersecurity\)](#)
- Collaborate more tightly with [HPC/Computing clouds and storage providers](#)